

Fluorescent sensor **CPES** series

Features:

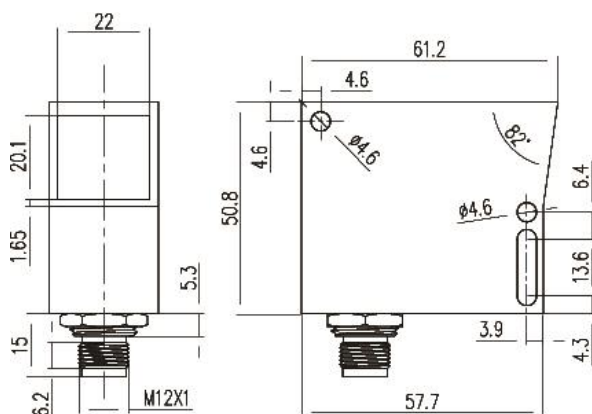
- ◆ With small spot size and rapid response, to complete the high-speed detection work;
- ◆ Fast response, suitable for high-speed applications;
- ◆ Discrete output is provided to automatically configure NPN and PNP.

Part number

CPES-FUHA28-E4

Technical specifications

Sensing mode	Diffuse trans-focus type	Adjustment method	Button MARK and BKGD
Sensing distance	28mm	Circuit protection	Short-circuit, overload and reverse polarity
Focus	28mm±3mm	Power indicator	Green LED
Output	Push-pull output + analog output (0...5V)	Output indicator	Yellow LED
Light source	UV light	Shown indicator	Yellow LED/Green LED alternately
Supply voltage	12...24VDC	Ambient temperature	-10°C...55°C
Spot diameter	3mm@28mm	Storage temperature	-20°C...70°C
Response time	Max, 150uS	Housing material	Plastic
Switching frequency	6Khz	Degree of protection	IP65 (IEC)
Load current	≤100mA	Size	51mm×61mm×25mm
Residual voltage	≤2.5V	Weight	About 95g
Consumption current	<60mA	Connection type	M12 connector

Dimensions

Wiring diagram
